

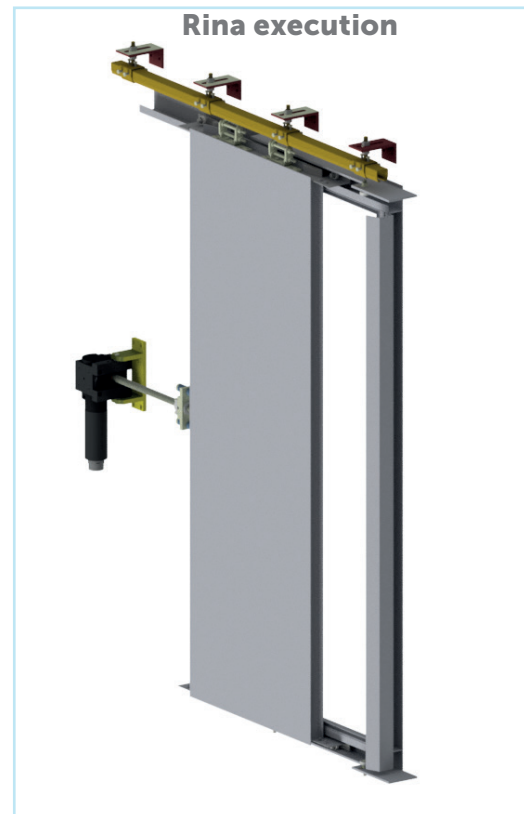


FACTSHEET*

DRIVE & DOOR COMBO

ARSA 3 - LIGHTWEIGHT WATERTIGHT SLIDING DOORS (INCLUDES ARSA 3 - 0,7)

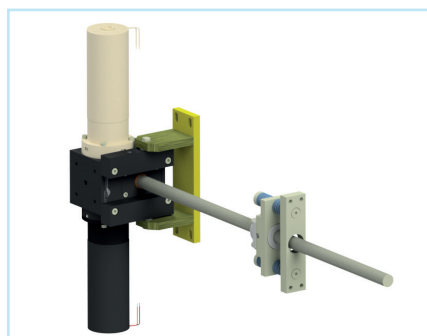
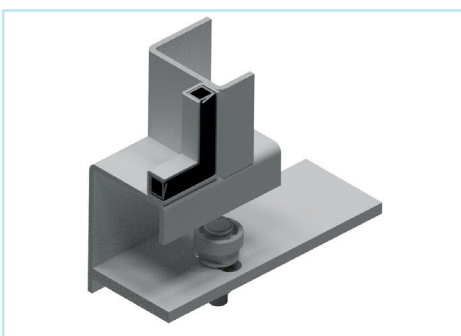
The Arsa 3 is a lightweight, watertight sliding door constructed from durable sheet metal, capable of withstanding head pressures of up to 7 meters. Designed and built in accordance with Solas regulations, the Arsa 3 offers a unique installation advantage: the frame and door leaf are separate, allowing for easy installation even after the hull is closed. These features, combined with its low weight, make the Arsa 3 the ideal choice for super yachts and smaller ferries.



TECHNICAL DATA:

- Head pressures up to 7m
- Type approved by LR and DNV
- Constructed out of 4mm or 6mm sheet metal
- Door leaf weight of only 350kg
- Drive system mains: 220/230V AC 50- 60Hz for door leaves up to 1000kg
- Local battery back-up for emergency opening and closing at door
- Standard sill height of 125mm
- IPX7/X8
- C/O up to 1200mm (larger possible, but subject to class approval)
- Insulated up to A60 but not FTP tested
- (BV & RINA on request)

ADDITIONAL PICTURE/GRAPHIC:



WEBPAGE >>